

CIRCLE SEAL

CONTROLS

**PRESSURE
BLANKING
VALVE
(GAUGE SAVER)
1200 Series**

**0-3000 PSI
15-300 CUTOUT
PRESSURE**

PURPOSE — To provide reliable, instant, precise shutoff to protect gauges or other pressure sensitive devices from over pressure. This highly sophisticated design* overcomes O-ring breakaway friction problems characteristic of piston-type units and permits reopening pressure to be the same as cut-out pressure. Gives exceptionally precise operation even at low settings.

OPERATION CHARACTERISTICS

AUTOMATIC CLOSING — Gauge protector isolates gauge from system instantly and automatically if system pressure exceeds top gauge reading.

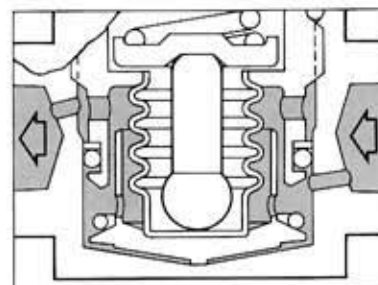
AUTOMATIC GAUGE CUT-IN — Opens automatically to connect gauge to system where system pressure is within pressure range of gauge.

PRECISE OPERATION — No over-range pressure differential. Ultra-sensitive bellows operation permits re-opening pressure to be the same as cut-out pressure. The use of contact seals rather than sliding seals eliminates O-ring breakaway friction, insuring precise, unflinching operation.

CUT-OUT PRESSURES — 10 to 300 psi

*Covered by Patent Numbers 2,920,646 and 2,538,364

HOW IT WORKS

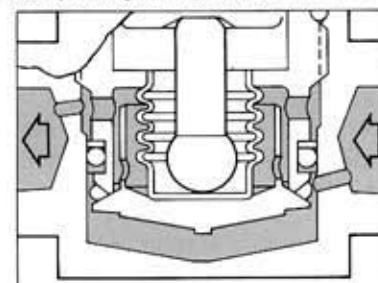


OPEN

Pressure passes through inlet port and poppet, around bellows and through outlet port with virtually no restriction.

CLOSING

Pressure differential across bellows "collapses" bellows allowing Circle Seal O-ring to prevent pressure passing through poppet to outlet.



CLOSED

Pressure differential in excess of closing force holds poppet closed. Circle Seal O-ring seals between conical seats of poppet and end. Pressure differential across Circle Seal O-ring causes it to be forced tightly into seats, sealing without leakage.

REOPENING

When system pressure drops below cutout pressure, pressure differential between system pressure, and entrapped cutout pressure forces unit to reopen instantly.

CIRCLE SEAL CONTROLS, INC.
A CIRCOR International company

2301 WARDLOW CIRCLE
CORONA, CALIFORNIA 92880
TEL: (951) 270-6200 FAX: (951) 270-6201

PRESSURE BLANKING VALVE (GAUGE SAVER) 1200 Series

SERVICE RECOMMENDATIONS

MODEL NUMBER	OPERATING TEMPERATURE	O-RING MATERIAL	SUITABLE FOR
1259 1277	-65° to 250°F	Buna-N (MIL-P-25732)	Air, Alcohol, Ammonia, Helium, Hydrogen, Hydraulic Fluid (mineral base), Lube Oil, Natural Gas, Nitrogen, Water, Hydraulic Oil (MIL-H-5606).
1232	0° to 250°F	Viton-A	Air, Steam*, Aromatic Fuels, Kerosene, Chlorinated Hydrocarbons*, IRFNA*.
1273	-40° to 240°F	Neoprene	Oxygen, Helium, Air, Hydrogen, Carbon Dioxide.

TECHNICAL DATA

OPERATING PRESSURE 0-3000 PSI
 PROOF PRESSURE 4500 PSI
 BURST PRESSURE Over 7500 PSI
 LEAKAGE Zero
 BELLOWS MATERIAL .. Aluminum, Stainless, Brass
 MOUNTING LIMITATIONS None

RE-OPENING PRESSURE (below actual cut-out pressure)
 70°F 1 PSI Max. or 3% Max (whichever is greater)
 LOWEST RATED TEMP. OF O-RING ... 3 PSI or 6% Max. (whichever is greater)
 CUT-OUT PRESSURE VARIATION
 70°F ±1 PSI Max. or ±3% (whichever is greater)
 LOWEST RATED TEMP. OF O-RING ±2 PSI Max. or ±5% (whichever is greater)

CONSTRUCTION DETAILS

Cutout pressures from 15 to 30 psi are obtained by system pressure acting against a metal bellows; for closing pressures above 30 psi, a spring is used in conjunction with the bellows. Cutout pressures are adjustable within limits established by spring rate of bellows or bellows and spring in combination.

Non-destructive testing, such as individual flow test, testing with fluids other than compressed air or hydraulic oil, hydrostatic testing, x-ray, dye penetrant are not normal to our production processing, but are available at extra costs.

*Use 303 Stainless Steel Configuration

HOW TO ORDER

PART NUMBER DESIGNATION

1 2 5 9 A-4BB-A

BASIC MODEL NUMBER

BODY MATERIAL

PIPE: **TUBE:**
 B—Brass T—303 Stainless Steel
 A—Aluminum A—Aluminum

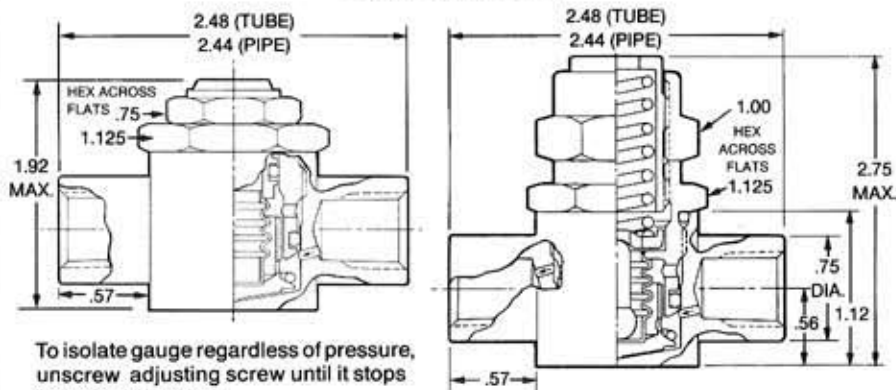
CONNECTIONS—Inlet/Gauge

4BB—¼" Tube, Female AND10050-4
2PP—¼" Pipe Female

CUT-OUT PRESSURE—Select alpha code

CUT-OUT PRESS. CODE	A	B	C	D
Gauge Press. Range	0-15	0-30	0-60	0-100
Cut-Out Press. (Nom.)	15 PSI	30 PSI	60 PSI	100 PSI
Adjustment Range	10-30 PSI	24-38 PSI	39-69 PSI	70-125 PSI
CUT-OUT PRESS. CODE	E	F	G	H
Gauge Press. Range	0-160	0-200	0-250	0-300
Cut-Out Press. (Nom.)	160 PSI	200 PSI	250 PSI	300 PSI
Adjustment Range	100-200 PSI	150-300 PSI	150-300 PSI	150-300 PSI

DIMENSIONS



To isolate gauge regardless of pressure, unscrew adjusting screw until it stops (in this model only).

Cut-Out Pressures
29 PSI and Less

Cut-Out Pressures
Above 29 PSI

 **CIRCLE SEAL CONTROLS, INC.**
 A CIRCOR International company

2301 WARDLOW CIRCLE
 CORONA, CALIFORNIA 92880

TEL: (951) 270-6200 FAX: (951) 270-6201

Printed in U.S.A. All rights reserved

JPC - 408 - L • 11/91