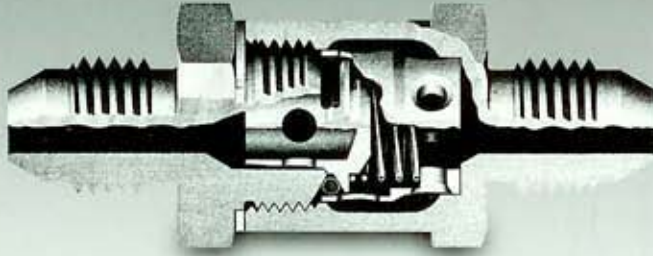


2100 & 2800 SERIES

0 to 3,000 PSIG



CHECK VALVES

Features

- Zero Leakage
- 2100 Series Meets Package Requirements MS28888 & Functional Requirements of MIL-V-8628. Designed for Pneumatic Service
- 2800 Series Meets Package Requirements of AN6249. Withstands System Shocks

Technical Data

Materials of Construction

Body:	2024-T4/T351 Aluminum or 303 Stainless Steel
O-Rings:	Buna N, Neoprene, Silicone, Teflon® or Viton®
Spring:	302 Stainless Steel

Pressure Ratings

Operating Pressure	– 3,000 PSIG (207 BAR)
Proof Pressure	– 1.5 x Operating Pressure
Burst Pressure	– 2.5 to 4 x Operating Pressure

Temperature Range

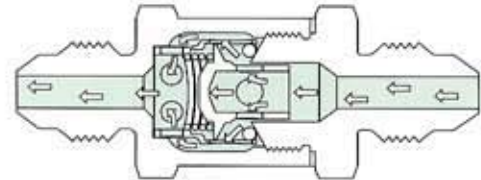
-100°F to 400°F; -73°C to +204°C
Based On O-Ring Material, See Page 2

Valve Sizes

2100 Series	- 3/16" to 1/2"
2800 Series	- 1/4" to 1"

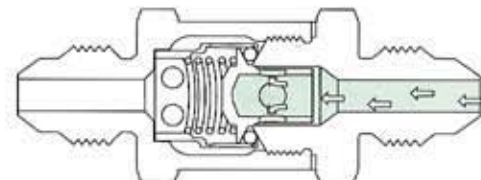
How It Works

2100 SERIES



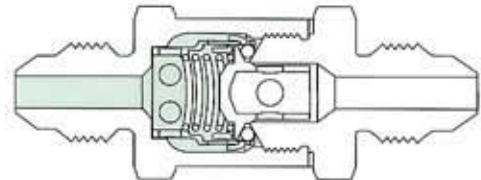
OPEN

Fluid passes through poppet and spring guide. Extended portion of spring guide confines O-ring preventing washout.



CLOSING

Floating O-ring automatically establishes line contact with conical metal surfaces of poppet and seat to cushion closing and insure perfect sealing.



CLOSED

O-ring only seals. Full pressure load is carried by metal to metal contact between poppet and seat. Increasing pressure increases sealing efficiency — metal to metal contact prevents any possibility of deformation or extrusion of O-ring.

Same basic principle applies to the 2800 Series.



2100 & 2800 SERIES

0 to 3,000 PSIG

How To Order

2199 A - 4TT - 5

<p>BASIC MODEL NUMBER</p> <p>21 - 2100 Series 28 - 2800 Series</p> <p>O-RING MATERIAL & TEMPERATURE RANGE</p> <p>49 - Buna N -40° to +250°F 33 - Neoprene -40° to +300°F 20 - Teflon® -100° to +400°F 32 - Viton® -20° to +400°F</p> <p>MATERIAL</p> <p>A - 2024-T4/T351 Aluminum T - 303 Stainless Steel</p>	<p>CRACKING PRESSURE Call Out Dash Number if Not Standard * 5 - 5 PSIG</p> <p>CONNECTIONS See Tables Below</p> <p>VALVE SIZE Tube sizes in 1/16" Increments</p> <p>* Standard based on seal material. Buna N, Neoprene - 2 to 4 PSIG Teflon® - 8 PSIG Max. Viton® - .5 to 1 PSIG</p>
--	---

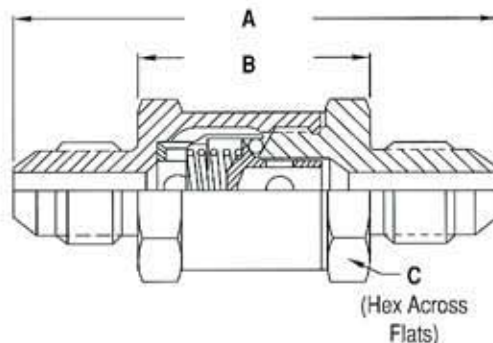
Teflon® and Viton® are registered trademarks of DuPont.

Please consult your Circle Seal Controls Representative or our factory for information on special connections, operating pressures and temperature ranges.

End Connections, Dimensions & Weights

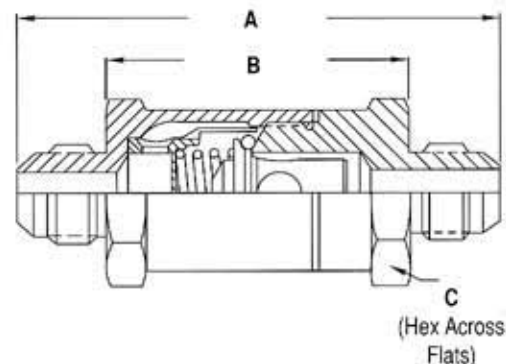
2100 SERIES, MALE TUBE — AS4395 (MS 33656)

Model Number	Size	A	B	C	Weight In Lbs.	
					Alum.	S.S.
3TT	3/16"	1.90	.94	.562	.025	.100
4TT	1/4"	2.10	1.00	.688	.035	.125
6TT	3/8"	2.36	1.25	.813	.057	.200
8TT	1/2"	3.06	1.75	1.063	.131	.375



2800 SERIES, MALE TUBE — AS4395 (MS 33656)

Model Number	Size	A	B	C	Weight In Lbs.	
					Alum.	S.S.
4TT	1/4"	2.63	1.53	.688	.054	.18
6TT	3/8"	2.86	1.75	.813	.080	.23
8TT	1/2"	3.53	2.22	1.063	.170	.43
12TT	3/4"	4.48	2.75	1.500	.390	1.11
16TT	1"	5.13	3.31	1.750	.570	1.74



 **CIRCLE SEAL CONTROLS, INC.**
A CIRCOR International company

Certified to ISO 9001

2301 WARDLOW CIRCLE • CORONA, CALIFORNIA 92880 • TEL: (951) 270-6200 • FAX: (951) 270-6201

JPC-482-L • 7/96