

1354 Servo Dome Pressure Regulator

For high-pressure, high-flow applications requiring bubble-tight performance

Features

- Designed for high flow, high pressure gas and liquid applications
- Gas loaded dome provides accurate set point regulation
- Compact body design
- Inlet/outlet pressures up to 6000 psi
- Internal or downstream sensing
- Self-contained dome loading available

Specifications

- Inlet Pressure 0 to 6,000 psi
- Outlet Pressure 0 to 6,000 psi
- Proof 9,000 psi
- Burst 24,000 psi
- Cv 0.55, 1.2 or 2.2
- Temperature -45°F to +165°F
- Approximate weight 16 lbs.
- External leakage Bubble-tight
- Internal leakage 10 sccm max. (soft seat)
1 scfm max. (metal seat)



Materials of Construction

- Body 304 Stainless steel
- Dome 304 Stainless steel
- Seat Nylon, PCTFE or metal
- Seals Buna-N®/Teflon®
- Diaphragm Polyurethane

Buna-N® is a registered trademark of E. I du Pont de Nemours & Company
Teflon® is a registered trademark of E. I. DuPont

Applications

Chemical processing • Test stands • Natural gas pipelines • Ground Support Systems



www.usparaplate.com • 951-270-6200

*U.S. Para Plate valves and regulators are used where performance and reliability are a must.
Proven for over 30 years in the most demanding Aerospace and Industrial applications.*



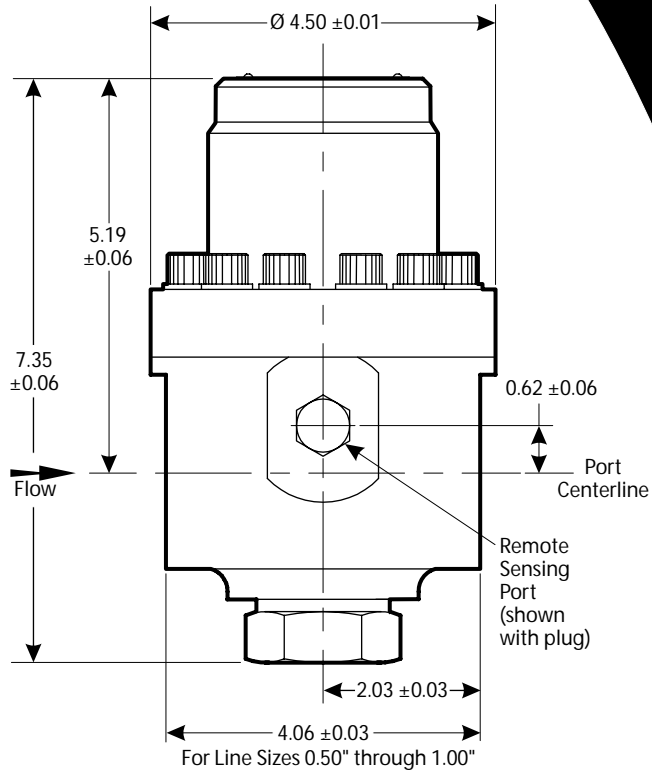
1354 Servo Dome Pressure Regulator

Ordering Information

MODEL NUMBER: 1354 C 8 K - T 08 T R

C = 304 Stainless steel	BODY/DOME
4 = 0.25" C_V 0.55 6 = 0.375" C_V 1.2 8 = 0.50" C_V 2.2	ORIFICE SIZE & FLOW FACTOR
N = Nylon K = PCTFE M = Metal (17-4 ph SST)	SEAT MATERIAL
- = General service X = High level precision cleaning	CLEANING
T = MS33649-4 female tube P = 1/4" NPT female L = Self contained	DOME LOADING CONNECTIONS
08 = 0.50" 12 = 0.75" 16 = 1.00" 24 = 1.50" (G-CON® only) 32 = 2.00" (G-CON® only)	LINE SIZE
T = MS33649 female tube P = NPT female G = G-CON®	I/O PORT TYPE
Blank = Not required R = Required	REMOTE SENSING

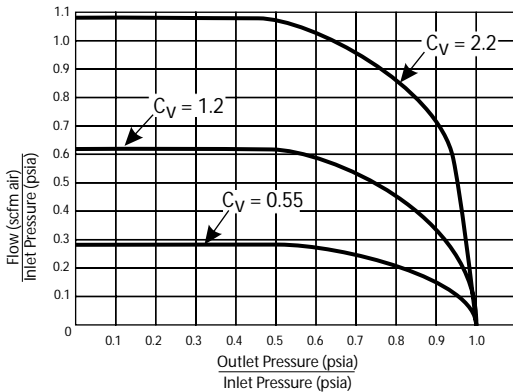
For Oxygen service, contact factory.
(Bold Italic Type indicates standard options)
G-CON® is a registered trademark of Reflange, Inc.



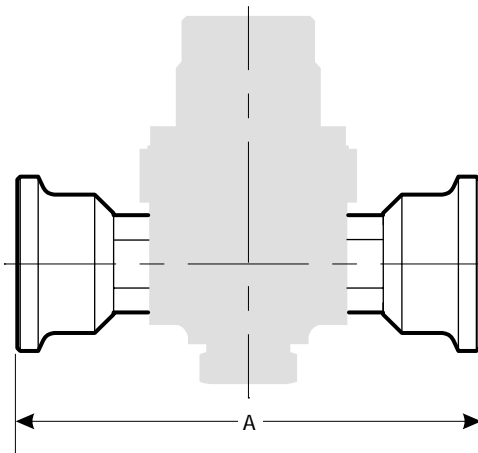
Flow Factor & Orifice Size

C_V	Orifice Size
0.55	0.25"
1.2	0.37"
2.2	0.50"

Characteristic Max Flow Curve



G-CON® Hub Option



Line size	G-CON® Hubs		Seal Ring Availability	
	A \pm 0.09	Seal Ring	Clamp Size	
08	7.56	G05	C-01	
12	7.56	G05	C-01	
16	7.56	G07	C-01	
24	8.81	G14	C-1.5	
32	9.56	G14	C-02	

