

2796 Culver Ave., Dayton, Ohio 45429
 PH: 937/294-1041 FAX: 294-8336
 www.motortech.com

**DC PERMANENT MAGNET MOTORS
 MILITARY QUALITY**

**MODEL FMR
 BULLETIN 225A100**

ELECTRICAL SPECIFICATIONS

Rating: 0.085 hp continuous duty.

Voltage: 12, 27, 50, 115 and 180 VDC are standard. Other voltages are available if required.

Speed: Standard speeds, 3810 rpm to 7240 rpm. Higher and lower variations upon request.

Connection Method: Double conductor shielded cables, #18 AWG per MIL-W-16878, type E.

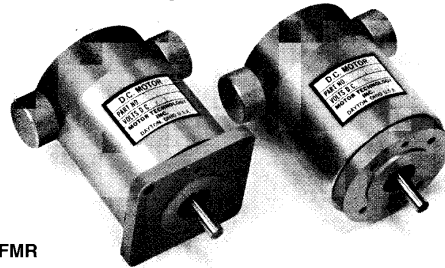
Rotation: Counter clockwise, with red lead plus (+) and black lead minus (-), viewing from shaft end.

Reversibility: Unit reverses rotation when voltage is reversed.

The Model FMR is particularly suitable for military and high quality industrial applications with extremely high power requirements and severe space limitations. Special magnets contribute greatly to this motor's superior efficiency. Its torque/speed curve is quite flat, and its servo response characteristics are excellent.

Major uses of the FMR model include valve drives and various aircraft actuators, including pumps and aerodynamic surfaces.

Motor Technology engineers can customize the FMR motor to deliver the exact performance you need. Standard modification options include pinions, filters, D.C. series or parallel brakes, flanges, lubricants, gear reductions, etc. See Bulletin 226A100/112 for gear ratios available.



MODEL FMR

MECHANICAL SPECIFICATIONS

Frame: Steel tubing with machined aluminum end-bells.

Armature: Varnish impregnated, precision balanced, with diamond turned commutator. Inertia is 3.64×10^{-3} oz. in. sec.² (max.).

Magnet: Samarium-Cobalt segments with 24 million energy product.

Bearings: Double shielded, life lubricated, ABEC-1 ball bearings.

Lubrication: Grease per MIL-G-3278. Other lubricants available.

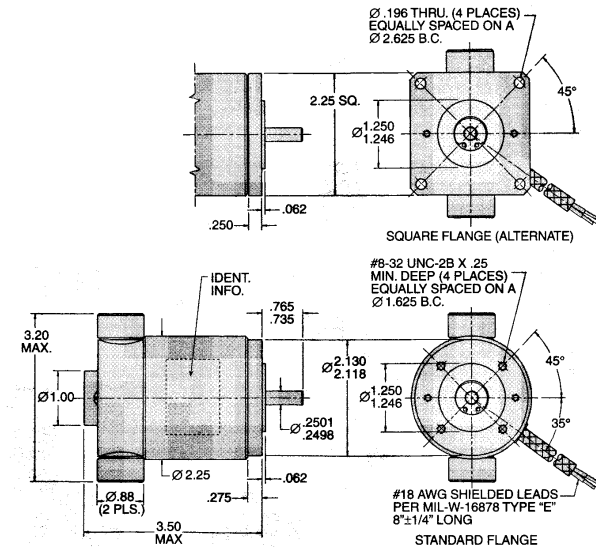
Brush-holder: Cartridge type, molded of Durez 1544 with brass insert. Holder is protected by surrounding end-bell casting.

Shaft: Precision ground stainless 17-4 PH, heat treated H-900.

Mounting Method: Four tapped holes are standard.

Weight: 1.75 lb. (max.).

DIMENSIONS



**MODEL FMR
 BULLETIN 225A100**

**DC PERMANENT MAGNET MOTORS
 MILITARY QUALITY**

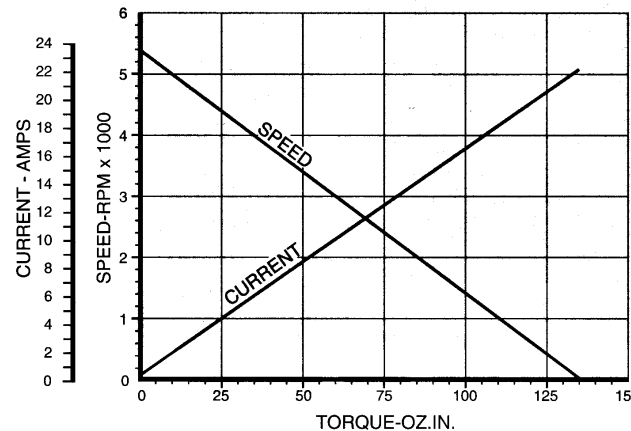
2796 Culver Ave., Dayton, Ohio 45429
 PH: 937/294-1041 FAX: 294-8336
 www.motortech.com

BASIC MOTOR DATA — STANDARD PART NUMBERS

INPUT VOLTAGE DC	NO-LOAD SPEED* RPM	RATED TORQUE OZ.IN.	STALL TORQUE* OZ.IN.	NO-LOAD CURRENT* AMPS	RATED TORQUE CURRENT* AMPS	STALL CURRENT* AMPS	STANDARD FMR PART NUMBERS
12	6050	15	151	1.59	7.73	62.1	225A100-1
12	4800	21	120	1.21	7.87	39.1	225A100-2
12	3810	25	95	.88	7.10	24.6	225A100-3
27	6800	13	170	.82	3.49	34.9	225A100-4
27	5400	18	135	.62	3.44	22.0	225A100-5
27	4285	26	107	.46	3.66	13.9	225A100-6
50	6300	14	157	.40	1.87	16.2	225A100-7
50	5000	20	125	.31	1.88	10.2	225A100-8
50	3970	25	99	.22	1.78	6.41	225A100-9
115	7240	12	181	.21	.83	9.29	225A100-10
115	5750	17	144	.16	.81	5.85	225A100-11
115	4700	21	114	.12	.83	3.80	225A100-12
115	3820	25	90	.09	.74	2.45	225A100-13
180	4860	22	112	.07	.52	2.47	225A100-14
180	3980	25	89	.05	.49	1.61	225A100-15

* The standard production tolerance on no-load speed, stall torque and stall current is $\pm 10\%$.
 The tolerance on no-load current is $+25\%$.
 The tolerance on current at rated torque is $+10\%$.

**TYPICAL PERFORMANCE CURVES
 225A100-5 at 27 VDC**



For complete engineering information on plotting speed/torque and current/torque curves for other armatures, see Bulletin E-1. For servo data, see Bulletin E-2.

ORDERING

For standard motors, simply order by using the part number listed above corresponding to the performance required.

Special modifications to the FMR motor are available and are ordered as follows:

1. Reference the closest standard P/N in your order.
2. Call out all the special requirements by stating exactly what is required.

We will then assign a special part number to identify your motor. For quick and accurate processing of future orders, just refer to this number.